



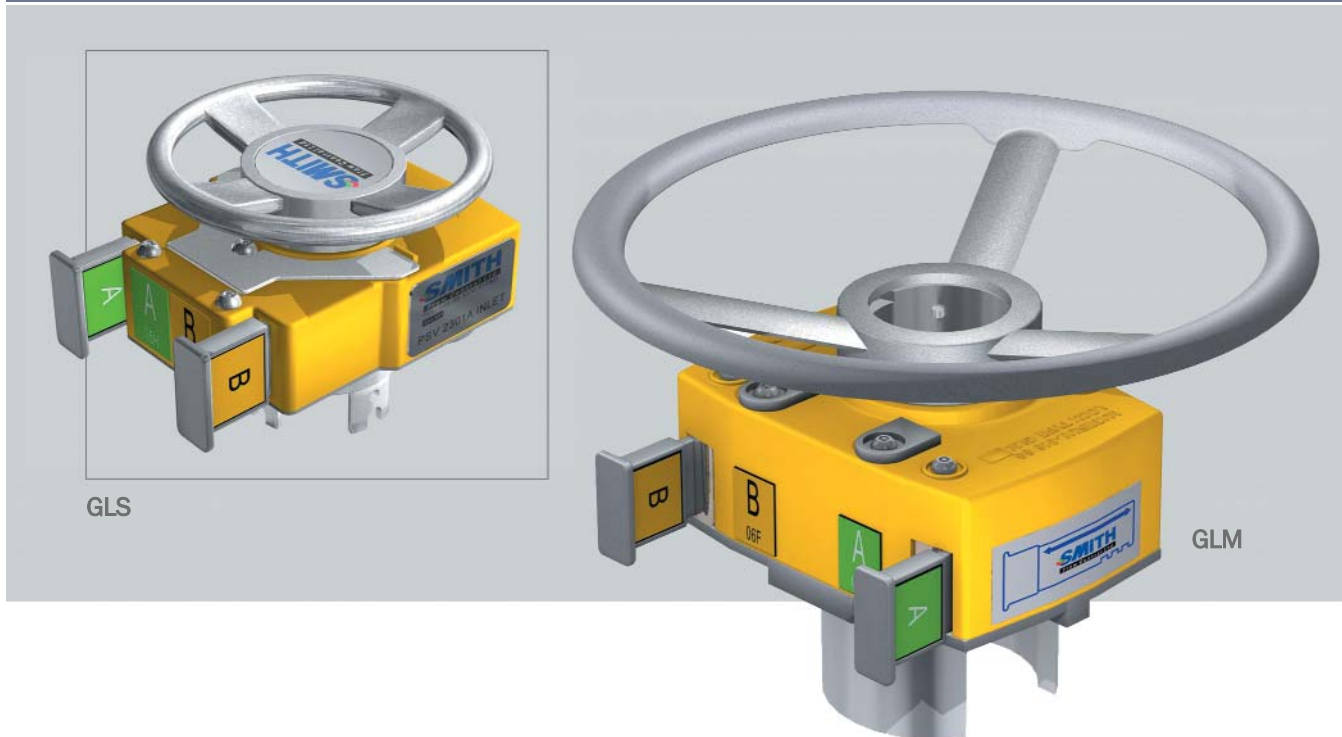
SFC Key Interlocks & Process Management Systems



Mechanical Control Systems for Process, Pipeline & Plant Maintenance Operations



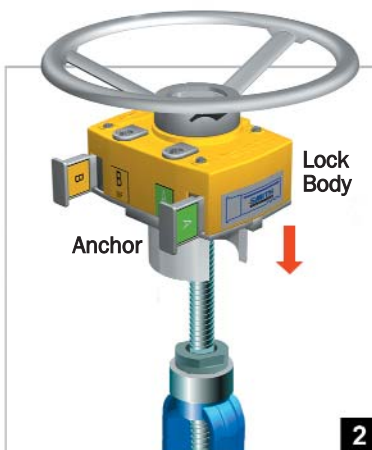
GL Valve Interlocks - For handwheel-operated valves



GLM & GLS Valve Interlocks

GL valve (inter)locks suit all types of handwheel operated valves - including gate, globe, and gear-operated valves.

Installing the (inter)lock on the host valve is a simple procedure as described below and requires no modification or hot-work to the host equipment as the anchor and adaptors are custom machined items (Universal adaptors (UAS) may be supplied when precise valve topworks data is not available).



After removing the existing handwheel the GL is assembled as follows:

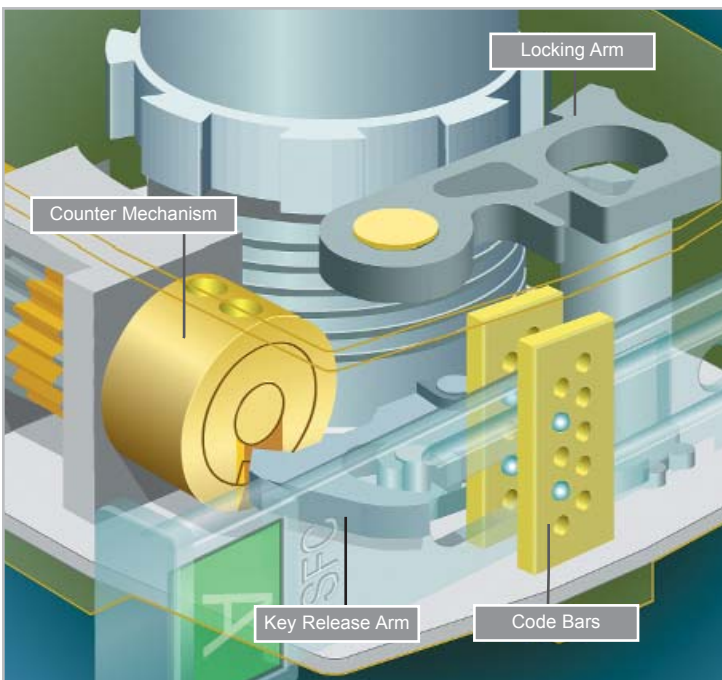
1. Mount lock adaptor and fix SFC nut.
2. Locate body to adaptor.
3. Tighten fixing screws (x3).
4. Tighten setting screws to set "Open" and "Closed" key free positions.



Internal Mechanical Construction

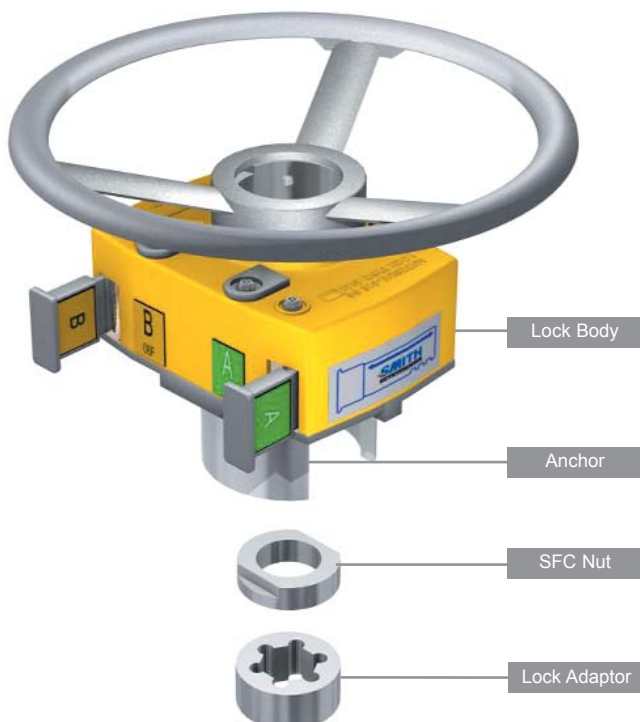
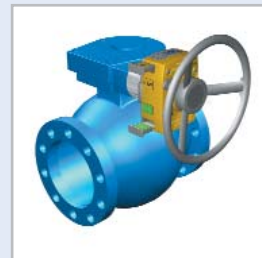
Mechanical Key Interlocks are robust maintenance-free assemblies which provide reliable operational control of safety-critical systems involving worker intervention. They prevent accidents through operator error and greatly reduce the scope for procedural violations and system abuse.

■ GL Valve Interlock



■ Product Features

- 316 Stainless steel construction
- Linear 'coded-card' key design
- Robust construction
- Proven reliability in all climates
- Single or double key versions



For over 20 years SFC have never failed to provide a viable technical solution to a client's safety operating problem.



SFC Key Interlocks & Process Management Systems



6 Waterside Business Park
Eastways Industrial Estate
Witham Essex CM8 3YQ
United Kingdom

Tel: +44 (0)1376 517901
Fax: +44 (0)1376 518720

sales@smithflowcontrol.com
www.smithflowcontrol.com