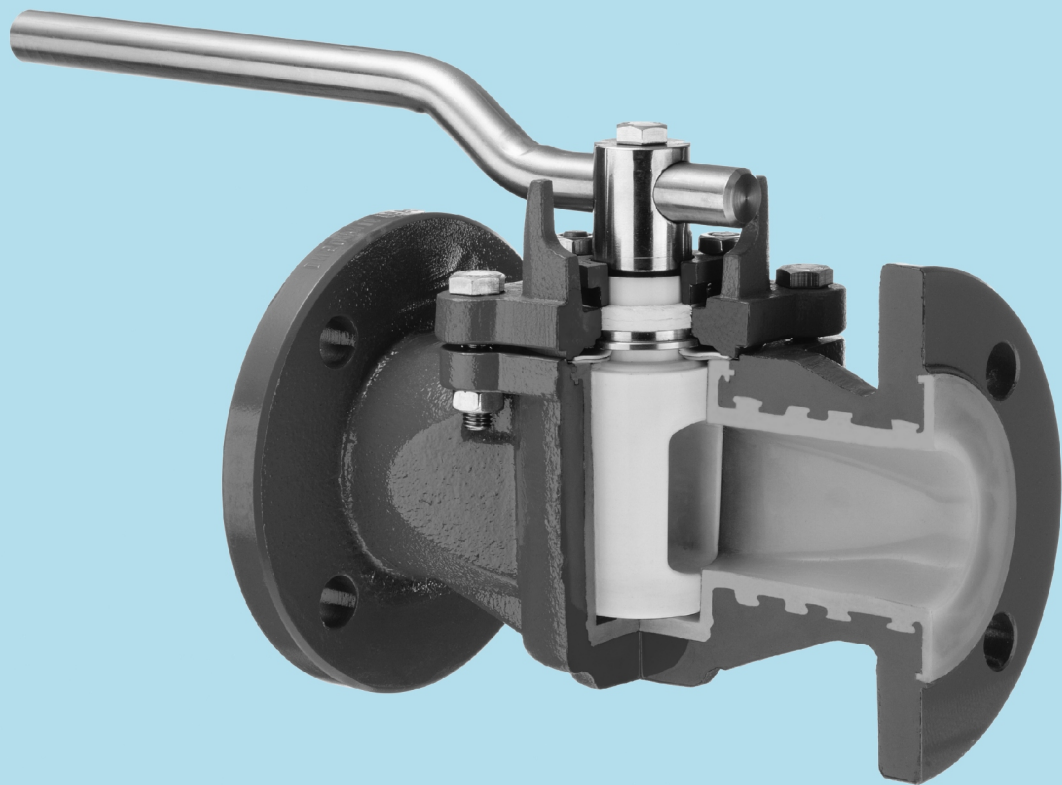


TYPE “Standard A”
Plug Valve with chemical resistant,
vacuumproof lining



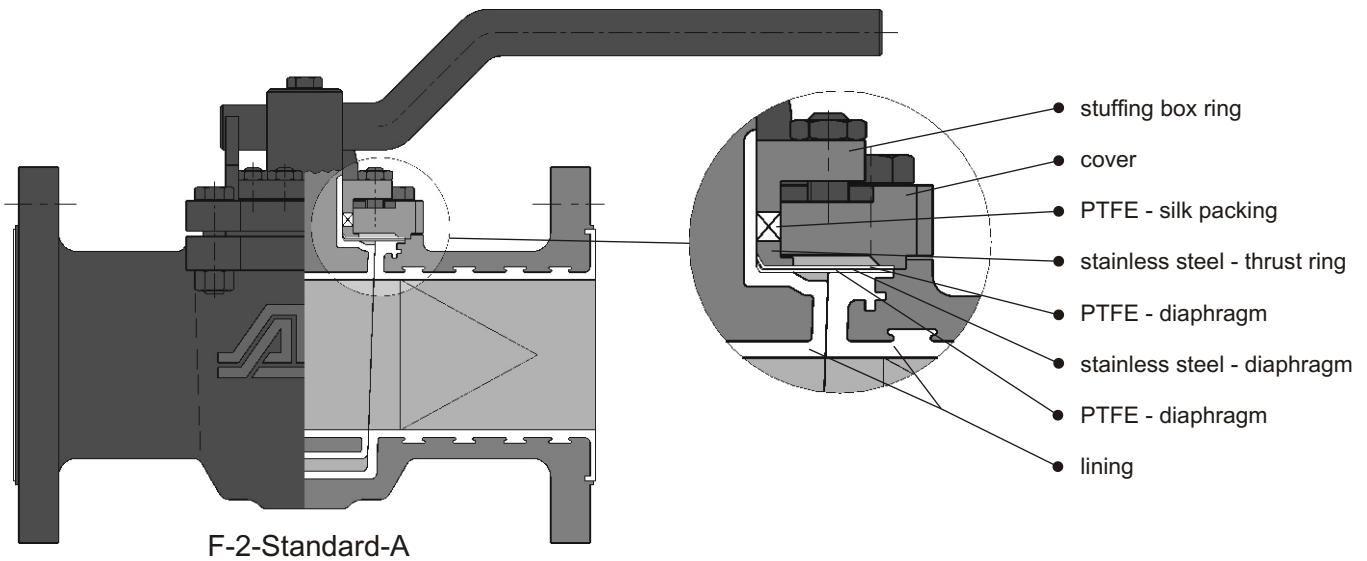
2.1

- cavity free
- maintenance free, self-lubricating
- chemical resistant
- vacuumproof
- $T_{\max} = 200^{\circ}\text{C}$
- easy accessible adjustment of the plug
- type approval TÜ. AGG 105-90
- face to face dimensions acc. to DIN and ANSI
- “TA - Luft 2002” approval



Type "Standard A"

Plug Valve with chemical resistant, vacuumproof lining



F-2-Standard-A

The non-porous, extremely resistant lining is achieved by a special production method of AZ-Armaturen. This production method guarantees the exclusion of pores, microcracks and flaking. The thickness of the lining layer is min. 3 mm. Only virgin resin granulate is used, no regenerated material or simular.

Designs

F-2, F-3-S, F-3-W, (F-4, F-5 on request)
see leaflets 1.1 - 1.4
Also fully jacketed available, see leaflet 1.5

Plug Forms

see leaflets 1.3 and 1.4

Sizes

DIN DN15 - DN300
ANSI 1/2" - 12"

Temperature - Range

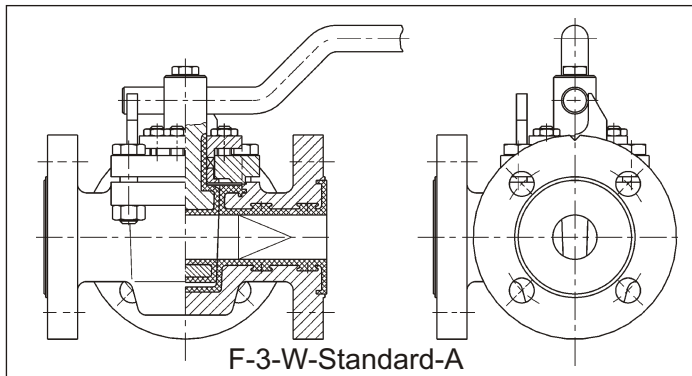
-40°C to +200°C

Ratings

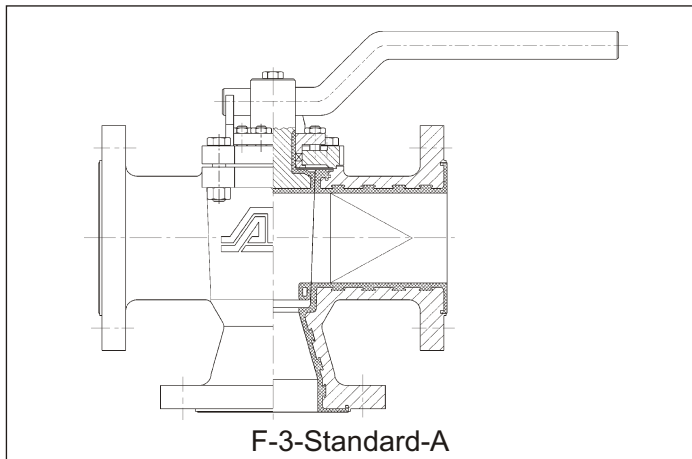
max. PN40 or 300lbs

Safety Sealings

see leaflet 5.4



F-3-W-Standard-A



F-3-Standard-A

Face to Face Dimensiones

acc. to DIN and ANSI, see leaflets 1.1 and 1.2

Materials

body:
ductile iron / GGG40.3, WCB / GS-C25, 1.1138, 1.4408
plug:
up to DN100 / 4": 1.4408
from DN125 / 5": GS-C25
special materials on request
plugs without lining in special materials like Titanium, Monel, Hastelloy C etc. on request.

Lining Material

body: PFA, PFA-conductive, FEP, PVDF
plug: PTFE, PFA, PFA-conductive, FEP, PVDF

Order example: F-3-W-Standard-A-DN25-PN16-GGG40.3

F = flange, 3 = 3-way, W = horizontal third entry
Standard-A = type, DN25 = size, PN16 = rating
GGG40.3 = body material



AZ-Armaturen GmbH
D-78087 Mönchweiler
Waldstraße 7
Telefon +49 (0)7721 7504-0
Telefax +49 (0)7721 7504-13
e-mail: info@az-armaturen.de
<http://www.az-armaturen.de>